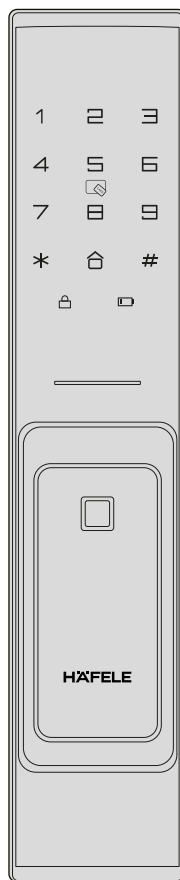




Digital door lock Model PP8100



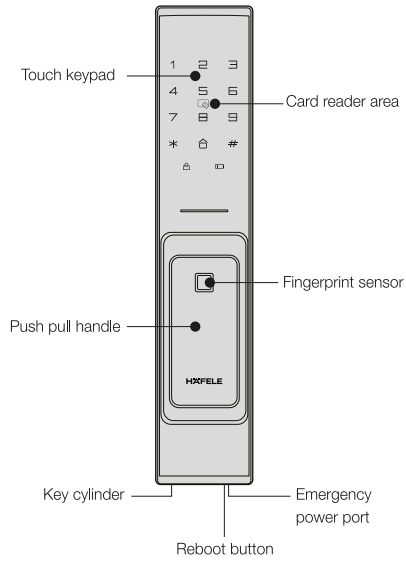
PP8100 Installation guide

Contents

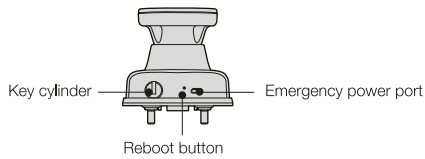
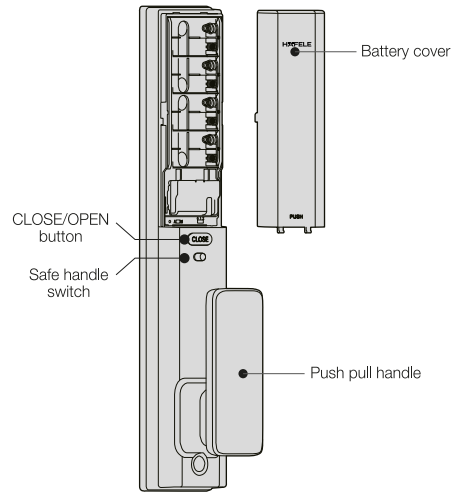
Product specification.....	2
Components.....	3
Prepare for installation.....	4
Installation.....	6

✓ Product specifications

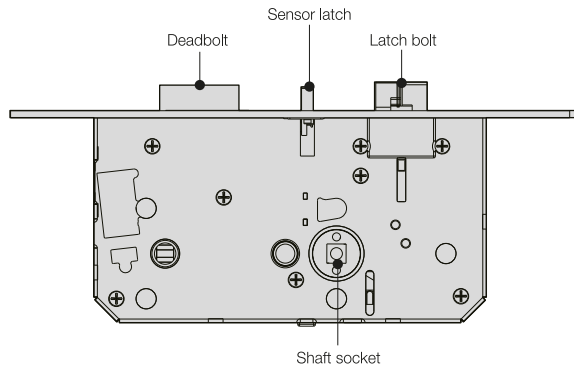
Outside panel



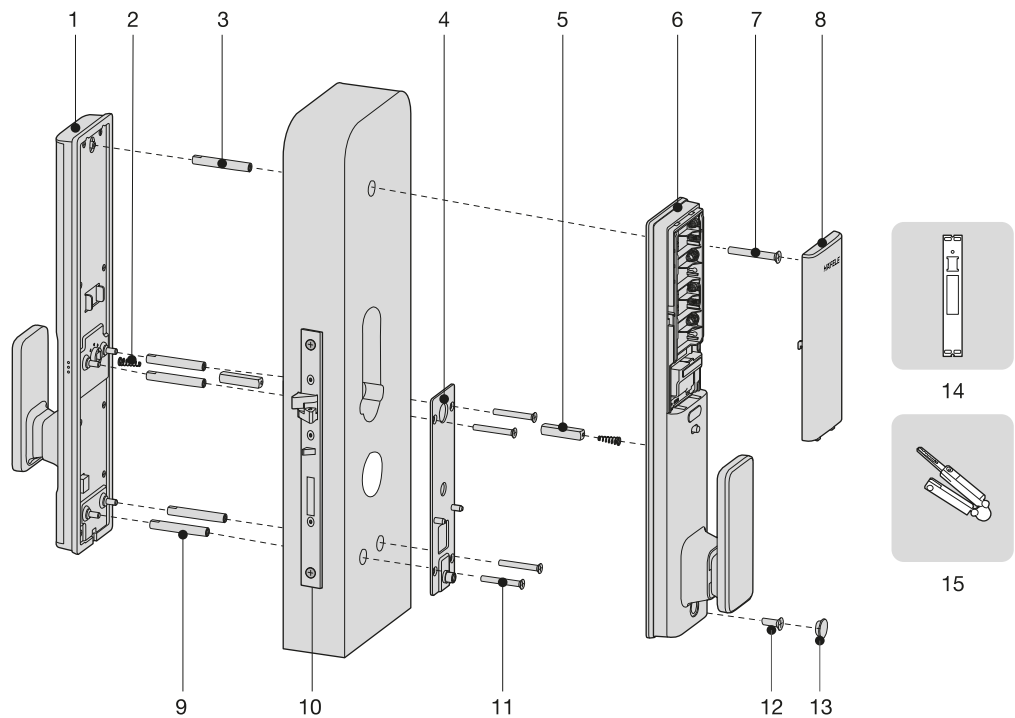
Inside panel



Mortise lock



✓ Components



- 1. Outside panel assembly (1 pc)
- 2. Pressure spring (2 pcs)
- 3. Connecting screw bolt (1 pc)
- 4. Mounting plate (1 pc)
- 5. Square shaft (2 pcs)
- 6. Inside panel assembly (1 pc)

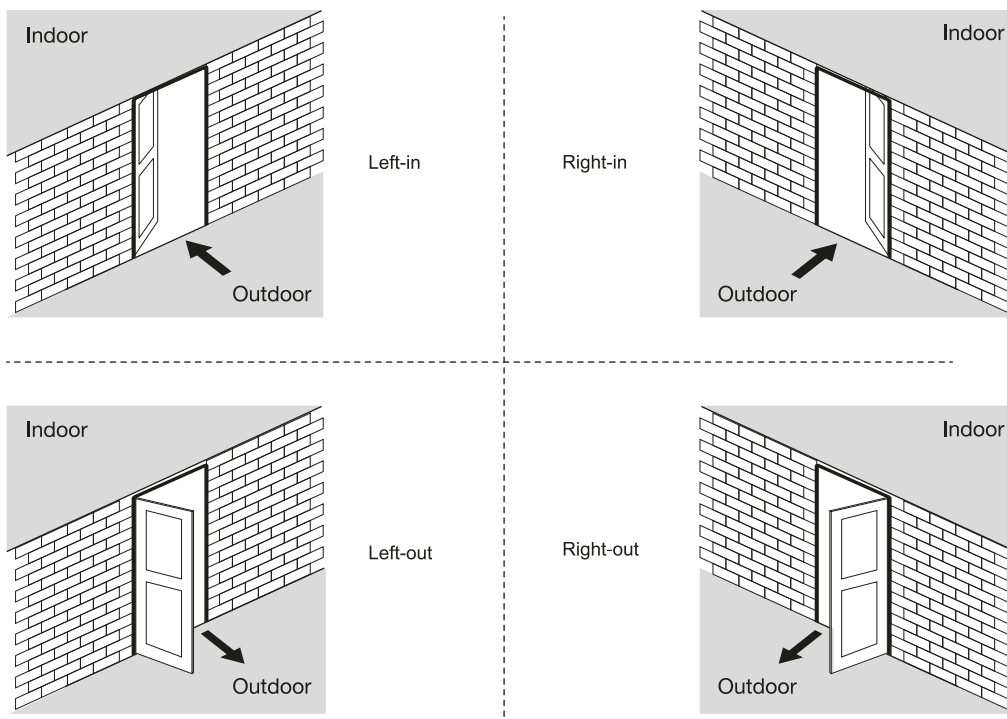
- 7. Mounting screw (1 pc)
- 8. Battery cover (1 pc)
- 9. Connecting screw bolt (4 pcs)
- 10. Mortise lock (1 pc)
- 11. Mounting plate screw (4pcs)
- 12. Mounting screw (1 pc)

- 13. Rubber plug (1 pc)
- 14. Strike assembly
 - Left strike plate (1 pc)
 - Right strike plate (1 pc)
 - Strike box (1 pc)
- 15. Mechanical key (2 pcs)

✓ Preparing for installation

Check door open direction

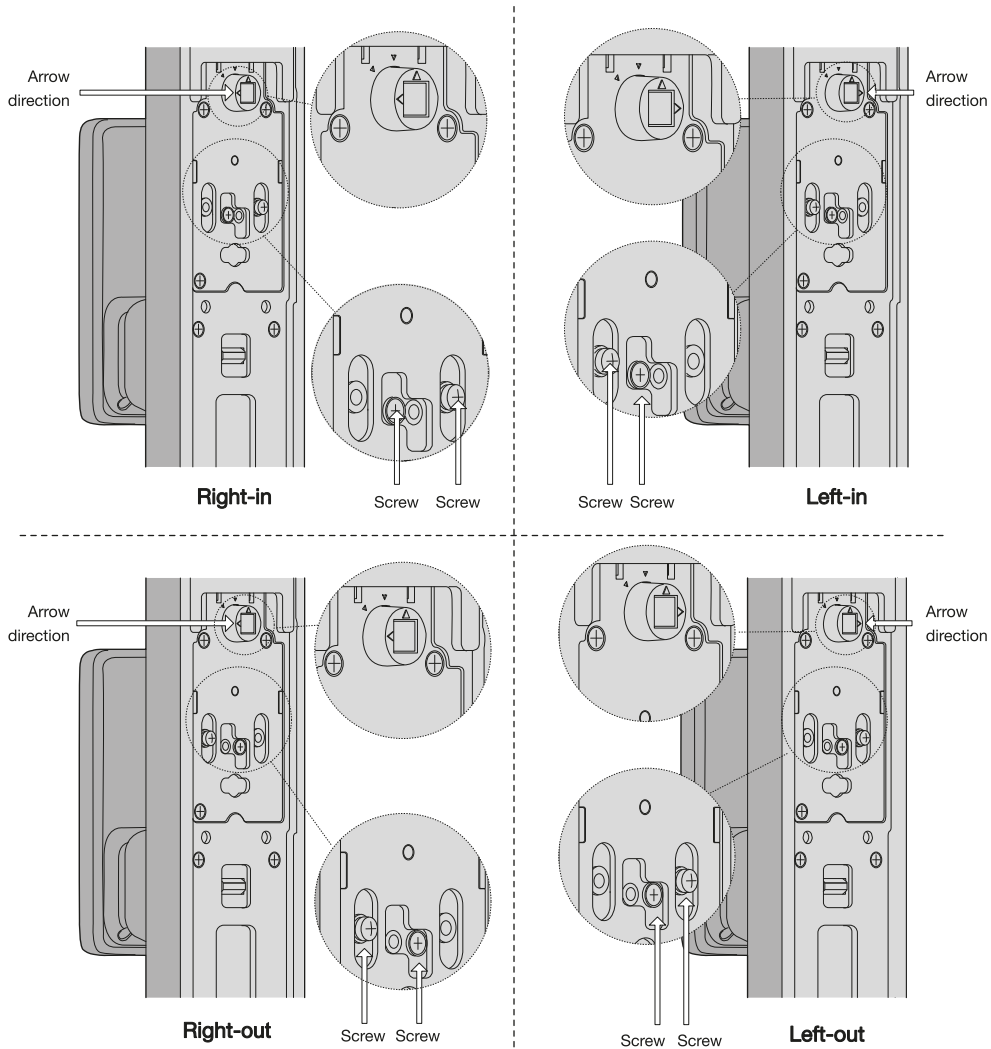
This product fits for all door open directions-Left-in/Left-out/Right-in/Right-out



✓ Preparing for installation

Change open direction (Inside panel assembly)

Please change the screw position according to door open direction.

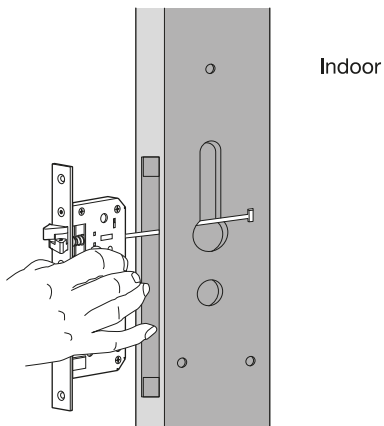


Check door thickness

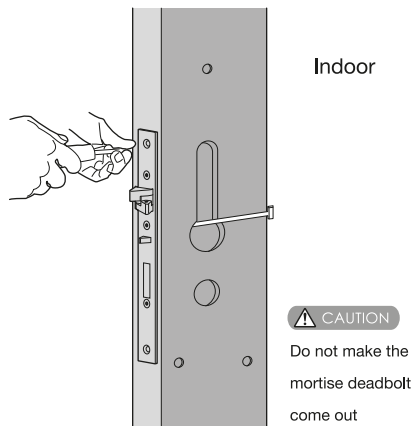
1. Please choose correct screw pack according to your door thickness.
2. Default screw pack is for door thickness 38-60mm.

✓ Installation

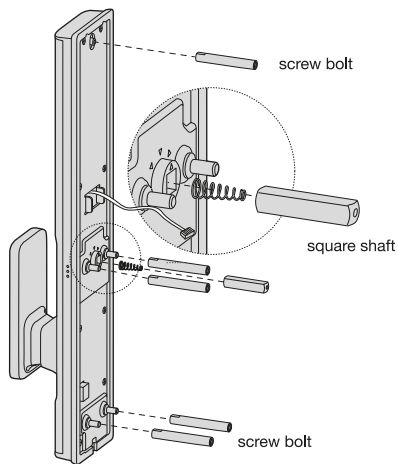
1. Mark and drill bores by using the installation template first, then fix the mortise into the door frame.



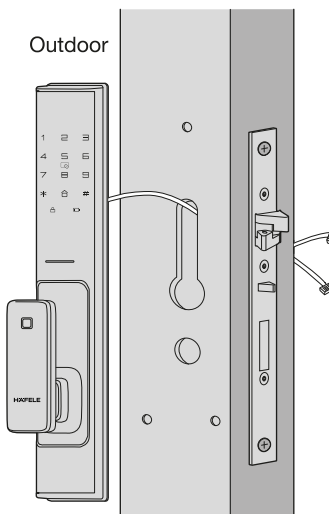
2. Tighten the 2 screws to fix the mortise in the door.



3. Fix 5 screw bolts on the front panel, place square shaft and pressure spring into the bore.



4. Pass the connection wire through the top bore. Then align and insert square shaft into mortise holes to make the front panel fit against the door closely.

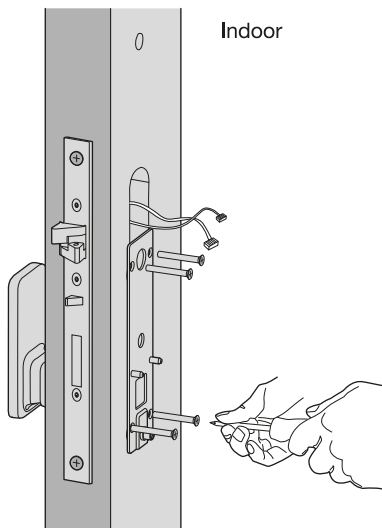


⚠ CAUTION

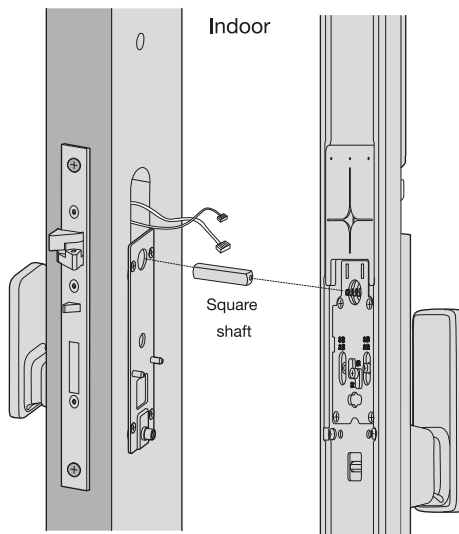
1. Spring: the big end is downward.
2. Select the square shafts and screw bolts with proper length according to door thickness range.

✓ Installation

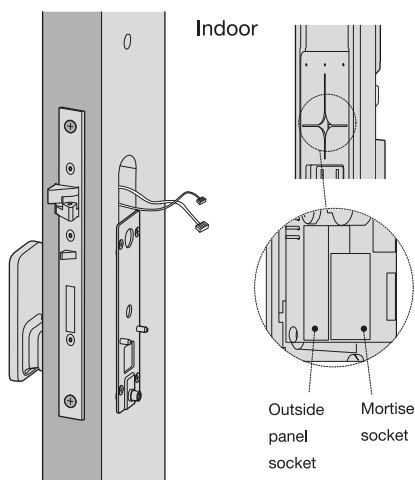
5. Install the mounting plate with fixing screw tightly against the door surface.



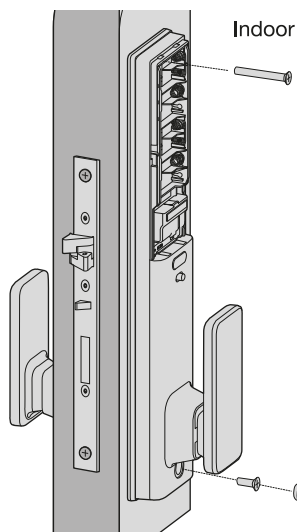
6. Place square shaft in the back panel in proper order.



7. Install the connecting wires of front panel into the related sockets of the back panel. Then align and insert the square shaft into mortise hole, make the back panel fit against the door closely.

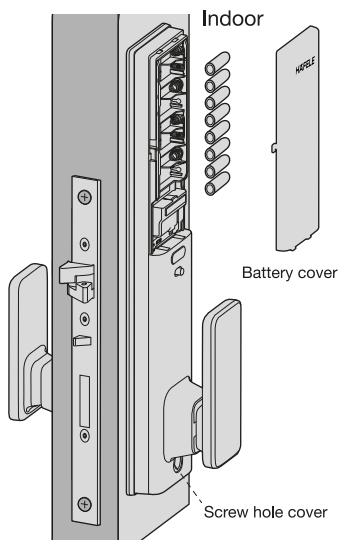


8. Tighten the 2 fixing screws.



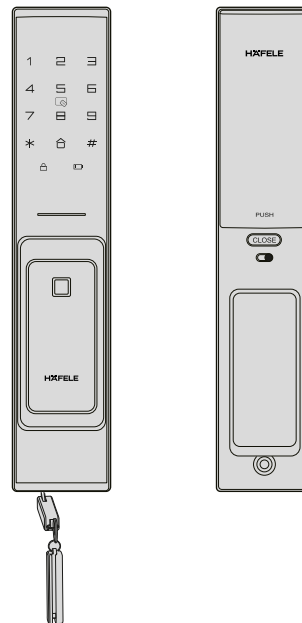
Installation

9. Install the batteries and battery cover. Cover the screw hole with rubber plug, then install then strike assembly to finish installation.
10. Please check push-pull handle, safe handle switch and mechanical key for proper operation.



CAUTION

After installing the strike assembly, please check if the lock works smoothly by opening/closing door.



CAUTION

Test if mechanical key works smoothly after installation.