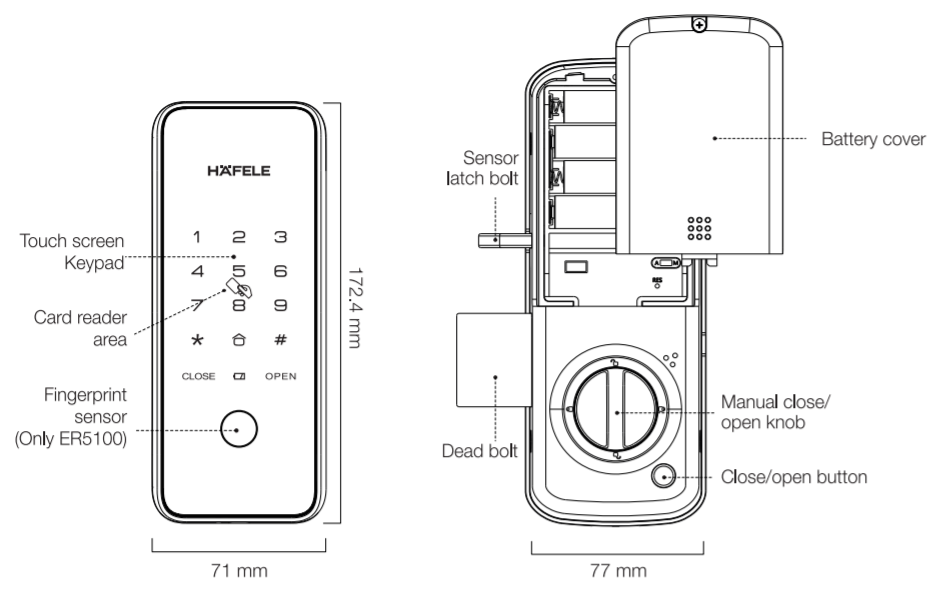




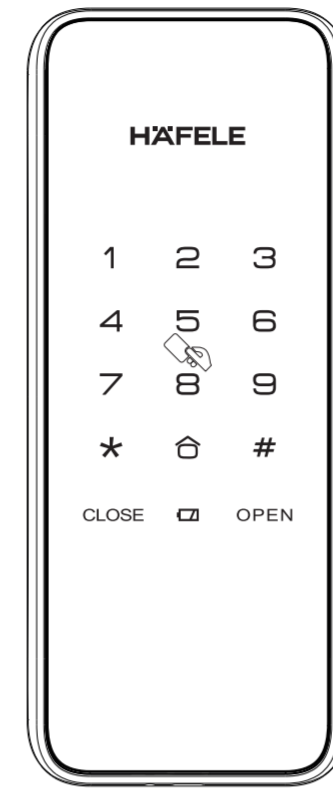
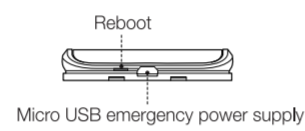
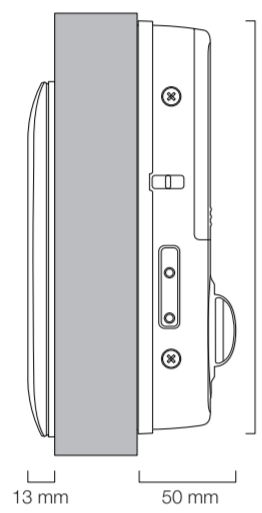
Digital door lock
Model ER5000 / ER5100

Product specifications

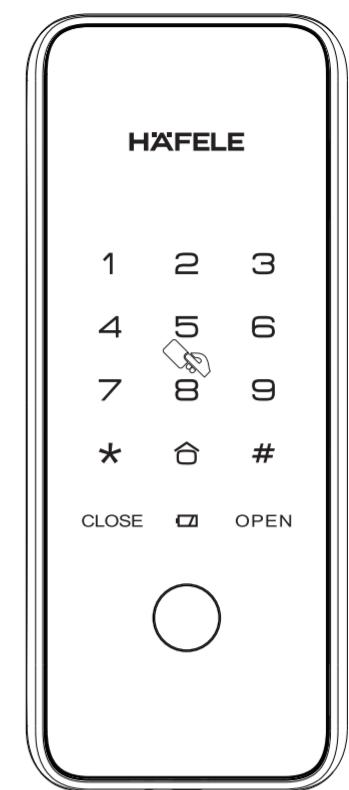


External module

Internal module



ER5000



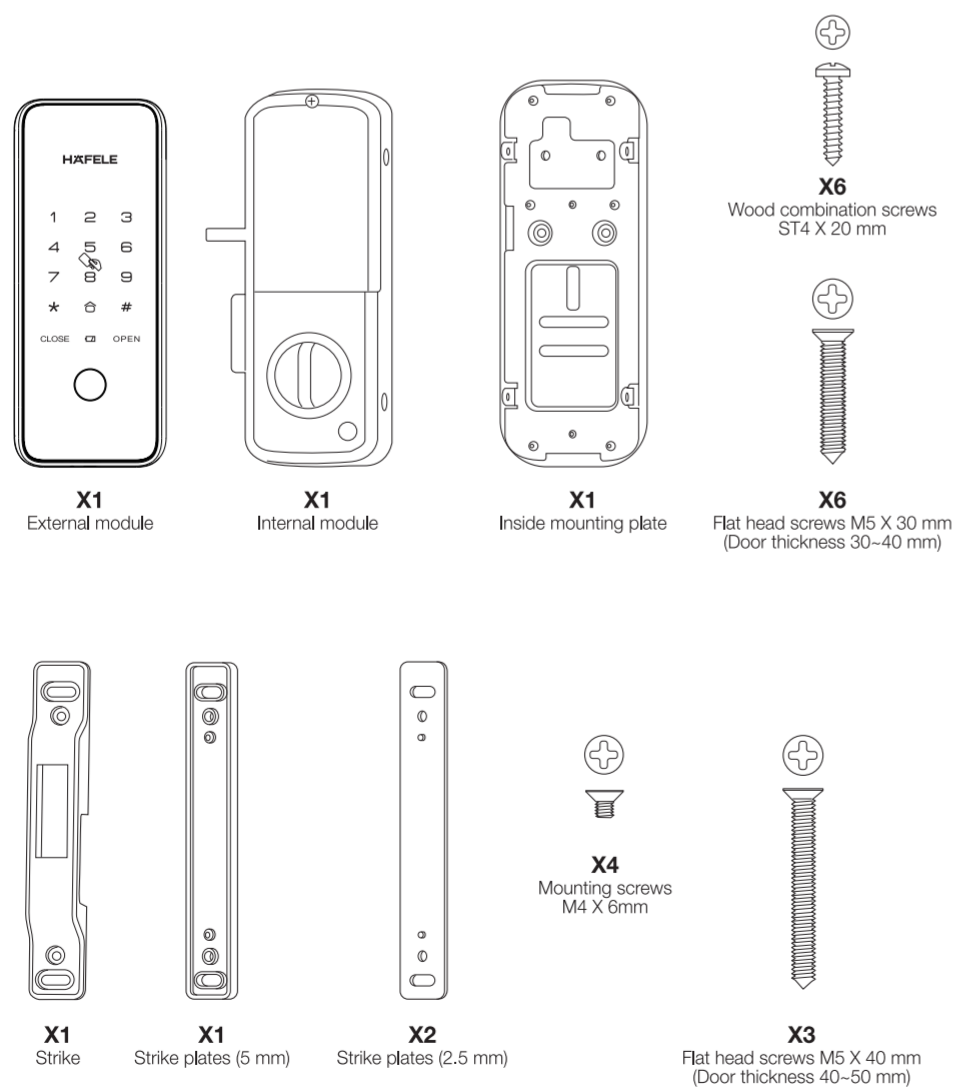
ER5100

Installation Guide

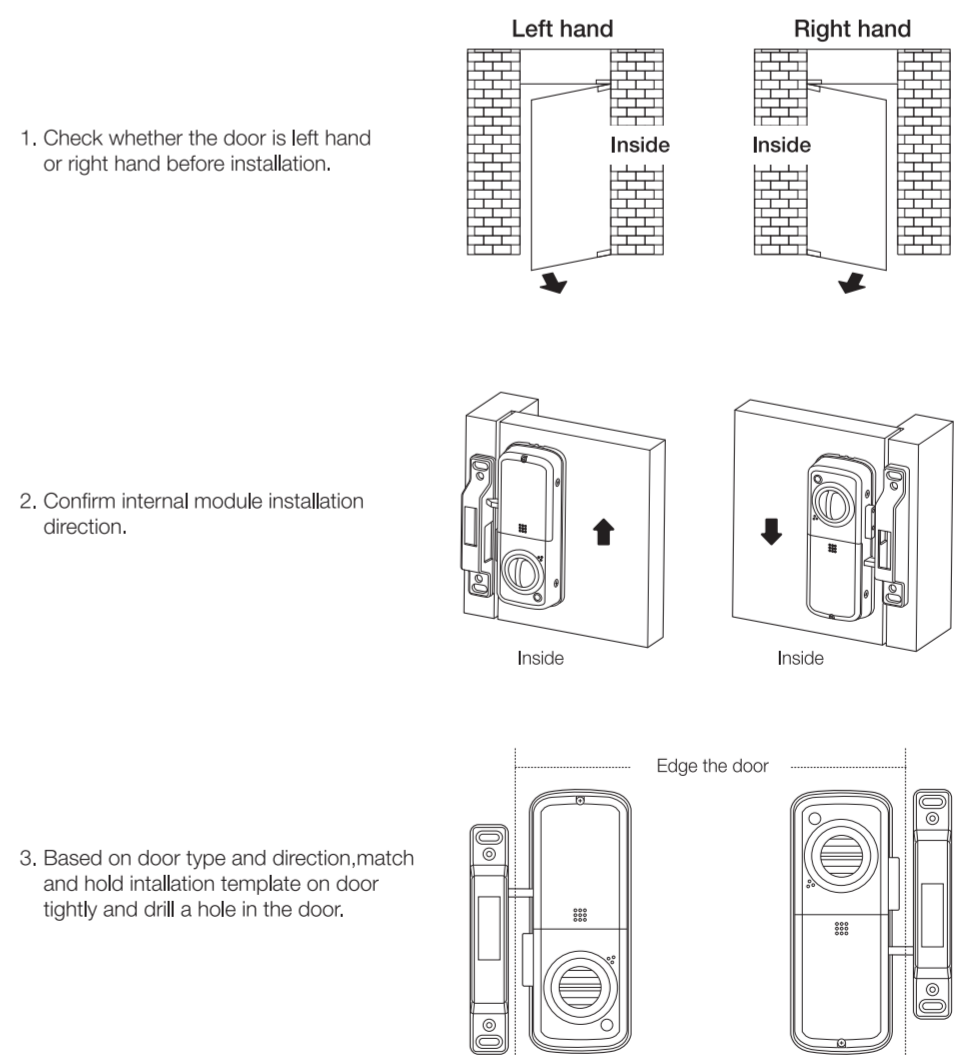
* The contents of this installation guide are subject to change without prior notice to the user in order to enhance performance of the products.

www.hafele.com

Components

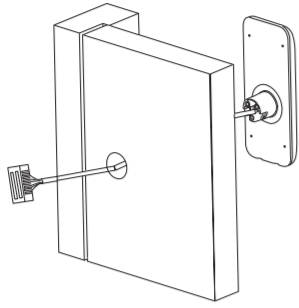


Preparing for installation

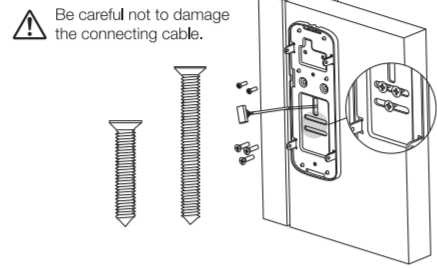


Installation

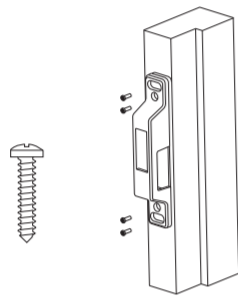
1. Get the external module cable through the drill hole on the door.



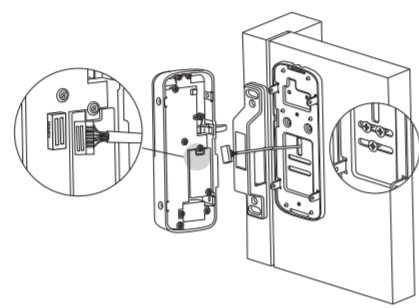
2. Get the external module cable through the internal module bracket and fix screws from inside of the door.



3. Depending on installation condition, fix proper position of striker with screws.

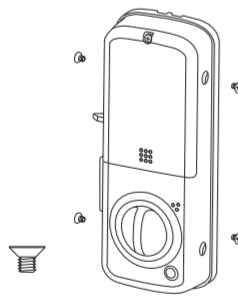


4. Connect the external module cable to internal module.

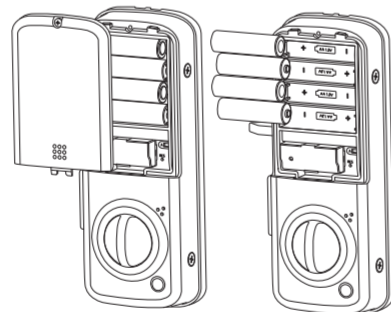


Installation

5. Mount the internal module on the bracket and fix screws.

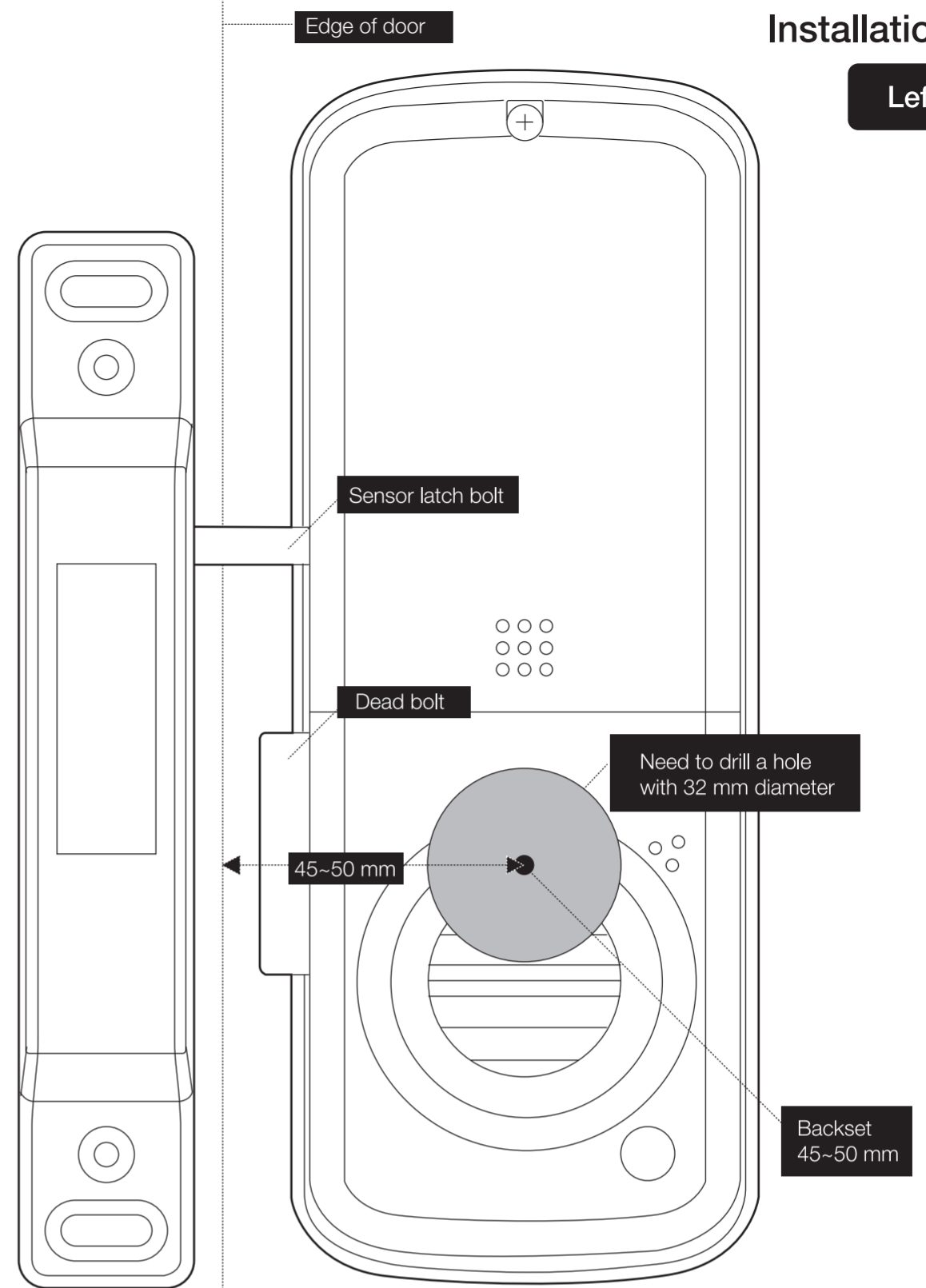


6. Insert 4 x AA batteries and fix batteries cover screw.



Installation template

Left hand



Installation template

Right hand

